



Ref: **INS/L-5418/2019-2020(Y)**

Date : 09/09/2019

ENQUIRY

Dear Sirs,

Please let us have your lowest Quotation for the following :

SI.No	Cat.No	Item Description	Make/Model	Item Qty	UOM
1		Supply and placing in position pedestal units of 2 drawers and 1 file drawer at the bottom, carcass and front of drawer boxes made of 18mm thick prelam board all exposed edges to have 2mm thick PVC edge band, using metabox for the three drawer boxes, with central locking system, sleek and elegant metal powder coated handles to the full width of the pedestal units, complete with all necessary accessories, hardware, locks, slides and channels, concealed castors, ball catch, etc, as per instructions of Officer-Incharge, and relevant drawings, of over all size 450mm (W) x 450mm (D) x 650mm (H).	-	50.00	Nos.



Ref: **INS/L-5418/2019-2020(Y)**

Date : 09/09/2019

Remarks: If the items as per specifications in our P.O. is not supplied (shipped) within the specified delivery schedule, then liquidated damages (not in terms of penalty) will be imposed automatically and shall be deducted from the bill at the rate of 0.5% per week subject to a maximum of 10% of the order value.

Note : **inStem is a public funded research institute and is entitled to concessional rate of GST @ 5% for items supplied for research purpose. The offer should be submitted after fully considering the above notification. **

1. The bids shall be enclosed in an envelope , and due date sealed duly marked "Tender for _____" Ref No : _____. The bids should be addressed and to be mailed to "**THE HEAD-PURCHASE**". The bids are liable to be rejected if the sealed envelope is not addressed to "**THE HEAD-PURCHASE**" with Tender Ref No and Item Description and due date. The bids delivered in person shall be dropped in Purchase Section. If the bids are sent through courier or mail , it should reach by submission Date and Time and inStem will not be responsible for the delay.

**2. DUE DATE FOR SUBMISSION OF QUOTATION AGAINST THIS ENQUIRY IS
23/09/2019 till 2.00 p.m.**

3. QUOTATIONS RECEIVED AFTER THE DUE DATE SHALL BE REJECTED.

4. The Validity of your quotation should be for 60 days from the date.

5.All duties,taxes,surcharge and cess as currently applicable must be sated in your quotation,seperately.Otherwise your quote is liable to be rejected.

6.Your quotation should indicate delivery period & Warranty period.

7.Delivery to be made to our Stores.Please indicate charges,if any extra.Transit Insurance should be done upto inStem Stores.

8.If you are unable to supply the quality,specifications or brand as mentioned in our enquiry,Please state so and then offer alternative to quality/Specifications.

9.Payment :within one month after delivery & acceptance/satisfactory installation.

10.Please ensure that the enquiry number and the due date is superscribed on the envelope failing which your quotation is liable to be rejected.

11.Since we are a public funded research institution,we are exempted from paying Customs Duty(Except advolerum duty of 5% + 2% cess and CVD @4% vide Notification No.51/96 with latest amendments) and excise duty vide Notification No.10/97 CENTRAL EXCISE dated 01-03-1997 for all scientific equipments,technical instruments,equipments(including computers),their accessories,spares,consumables and software.Hence,please offer your prices taking this option into consideration.



Institute For Stem Cell Biology and Regenerative Medicine
Autonomous institute of the Department of Biotechnology, Government Of India



Ref: **INS/L-5418/2019-2020(Y)**

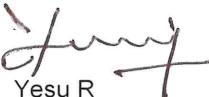
Date : 09/09/2019

12.If the item is covered under DGS&D rate contract,please quote the rate as per the DGS&D rate contract with xerox copy of the DGS&D order.

13.Any dispute or differences that may arise between the parties shall be referred to the sole arbitration of the Centre Director or his nominees.The decision of the arbitrator shall be final and binding on the parties.The venue for arbitration shall be Bangalore.The provisions of the Arbitration and Concillation Act,1996 as amended from time to time shall apply.The Courts in Bangalore shall have exclusive jurisdiction to deal with any or all disputes between the parties.

Yours faithfully

For and on behalf of Insitute For Stem Cell
Biology and Regenerative Medicine


Yesu R



GKVK, Bellary Road, Bangalore-560065,INDIA

Phone No. : 91-80-23666343/344/345/346

Fax : 91-80-23636662

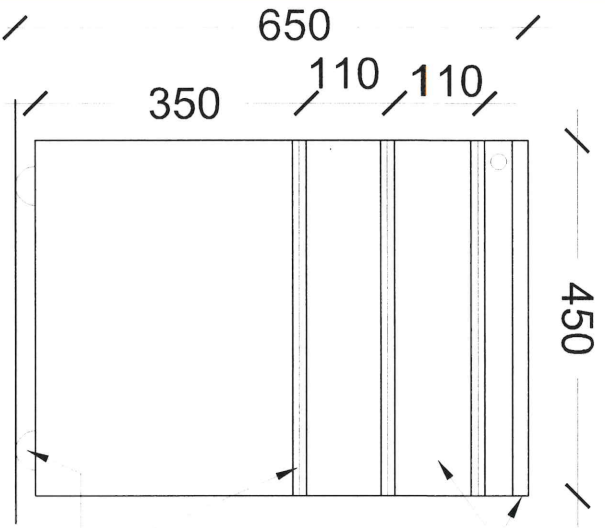
Email Id: purchase@ncbs.res.in

Website : www.ncbs.res.in

SIGNATURE :

DATE : 11/09/2019

SEAL :



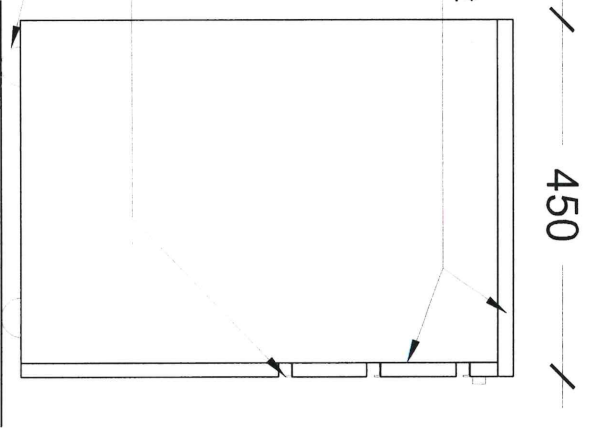
FRONT ELEVATION

18 mm thk prelam board with 2 mm thk PVC edge band all around for carcass & drawer front

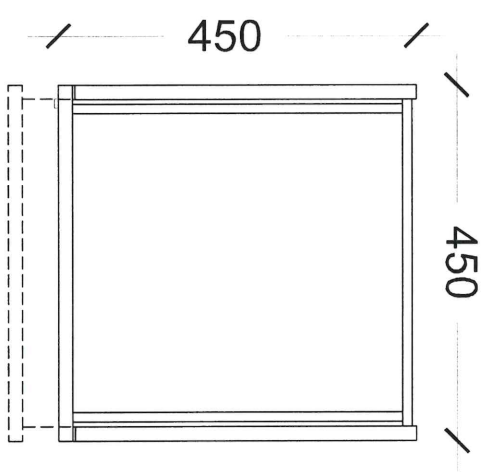
All inner Drawer boxes are made using Ebco, Hittech, Haffele or Equivalent Meta box System

Metal full length handle

Lockable castors



SIDE ELEVATION



PLAN

- NOTE:
- Do not scale the drawing Read the dimensions only, all measurements are in MM.
 - Site conditions to be checked before commencing work and final measurements prevailing at site shall be considered before fabrication.
 - Quoted rates shall be constant upto ± 50 of variation in dimension at site from the drawing.
 - Discrepancy, if any, should be brought to the notice of Architect for clarification.
 - The drawings are indicative of the requirements only. The tenderer has to consider their nearest matching standard product and design the items.
 - All metal components to be powder coated.

PROJECT : DESIGN & PROVIDING MODULAR WORKSTATION SYSTEMS TO THE INSTEM LABORATORIES AT GKVK, BANGALORE - PHASE - II WORKS

TITLE : PEDESTAL STORAGE

APPROVED : DEALT :
POORNIMA UB
HEAD ARCHITECT

SCALE : NTS DATE : 11/09/2019

DRG. NO : NCBS/InstemWS - 01

national centre for biological sciences
tata institute of fundamental research
GKVK Campus Bellary Road, Bangalore 560 065 India

