

Ref: INS/L-5255/2018-2019(Y)

Date : 19/06/2018

### ENQUIRY

Dear Sirs,

Please let us have your lowest Quotation for the following :

| Sl.No | Cat.No | Item Description  | Make/Model | Item Qty | UOM    |
|-------|--------|---|------------|----------|--------|
| 1     |        | Supply, handle and erection of factory fabricated 24G GSS ducting with TDS joints as per drawing complete with all fittings such as tee bends, special off-chutes, turning vanes, splitter dampers, ins.doors, transformation pieces ,supports etc. as reqd. as per IS 655 including suspension and supporting arrangement for plenums, ducts, complete as reqd. and as per specs.(only hitech supports shall be used)  | JSW/TATA   | 65.00    | Sqtm   |
| 2     |        | Supply, installation, testing of factory fabricated 22G GSS boxing complete with fire retardant gaskets for air tightness, box size :( 700mm W x 700mm Dx 400mm H), with 1 set (2nos)of 25mm X25mm X 3mm duly painted MS angle flange with end of the box for HEPA access other end with TDF flange for HEPA box connection . Along with factory fabricated collar for duct connection with TDF flanges on connecting End , collar size of (500mm W x 200mm H and 200mm L). All other details as per drawing. | -          | 160.00   | Nos.   |
| 3     |        | Supply and Application of external 16mm thick thermal insulation for ducting using closed cell elastomeric insulation with SR adhesive, longitudinal & transverse joints sealed with self adhesive tape of same material.(class O material)   | -          | 320.00   | Sq.Mt. |
| 4     |        | The volume control damper shall be of low leakage type with the outer shell constructed of minimum of 16G GI frame and the blade . And with necessary flanges for connection etc., as per specification.  | -          | 25.00    | Sq.Mt. |
| 5     |        | Supply of SS 304 flat frame 600 x 600 mm with one side 4 nos. of 6mm hole total. 16 holes in a frame size of 40 x 40 x 6mm as per the drawing   | standard   | 160.00   | Nos.   |
| 6     |        | Supply of S.S 304 flat 40 x 3 mm, length 640mm with 15mm x 10 mm hole of (2 nos per set) as per drawing   | standard   | 160.00   | Set    |
|       |        |   |            |          |        |



Ref: INS/L-5255/2018-2019(Y)

Date : 19/06/2018

**Remarks :**

**Note : \*\*inStem is a public funded research institute and is entitled to concessional rate of GST @ 5% for items supplied for research purpose. The offer should be submitted after fully considering the above notification. \*\***

1. The bids shall be enclosed in an envelope , and due date sealed duly marked "Tender for \_\_\_\_\_" Ref No : \_\_\_\_\_. The bids should be addressed and to be mailed to "THE HEAD-PURCHASE". The bids are liable to be rejected if the sealed envelope is not addressed to "THE HEAD-PURCHASE" with Tender Ref No and Item Description and due date. The bids delivered in person shall be dropped in Purchase Section. If the bids are sent through courier or mail , it should reach by submission Date and Time and inStem will not be responsible for the delay.

**2. DUE DATE FOR SUBMISSION OF QUOTATION AGAINST THIS ENQUIRY IS  
28/06/2018 till 2.30 p.m.**

3. QUOTATIONS RECEIVED AFTER THE DUE DATE SHALL BE REJECTED.

4. The Validity of your quotation should be for 60 days from the date.

5. All duties, taxes, surcharge and cess as currently applicable must be stated in your quotation, separately. Otherwise your quote is liable to be rejected.

6. Your quotation should indicate delivery period & Warranty period.

7. Delivery to be made to our Stores. Please indicate charges, if any extra. Transit Insurance should be done upto inStem Stores.

8. If you are unable to supply the quality, specifications or brand as mentioned in our enquiry, Please state so and then offer alternative to quality/Specifications.

9. Payment : within one month after delivery & acceptance/satisfactory installation.

10. Please ensure that the enquiry number and the due date is superscribed on the envelope failing which your quotation is liable to be rejected.

11. Since we are a public funded research institution, we are exempted from paying Customs Duty (Except ad valorem duty of 5% + 2% cess and CVD @4% vide Notification No.51/96 with latest amendments) and excise duty vide Notification No.10/97 CENTRAL EXCISE dated 01-03-1997 for all scientific equipments, technical instruments, equipments (including computers), their accessories, spares, consumables and software. Hence, please offer your prices taking this option into consideration.



**Institute For Stem Cell Biology and Regenerative Medicine**  
Autonomous institute of the Department of Biotechnology, Government Of India



Ref: INS/L-5255/2018-2019(Y)

Date : 19/06/2018

**12.If the item is covered under DGS&D rate contract,please quote the rate as per the DGS&D rate contract with xerox copy of the DGS&D order.**

13.Any dispute or differences that may arise between the parties shall be referred to the sole arbitration of the Centre Director or his nominees.The decision of the arbitrator shall be final and binding on the parties.The venue for arbitration shall be Bangalore.The provisions of the Arbitration and Concillation Act,1996 as amended from time to time shall apply.The Courts in Bangalore shall have exclusive jurisdiction to deal with any or all disputes between the parties.

Yours faithfully

For and on behalf of Insitute For Stem Cell  
Biology and Regenerative Medicine

Yesu R

GKVK, Bellary Road, Bangalore-560065,INDIA

Phone No. : 91-80-23666343/344/345/346

Fax : 91-80-23636662

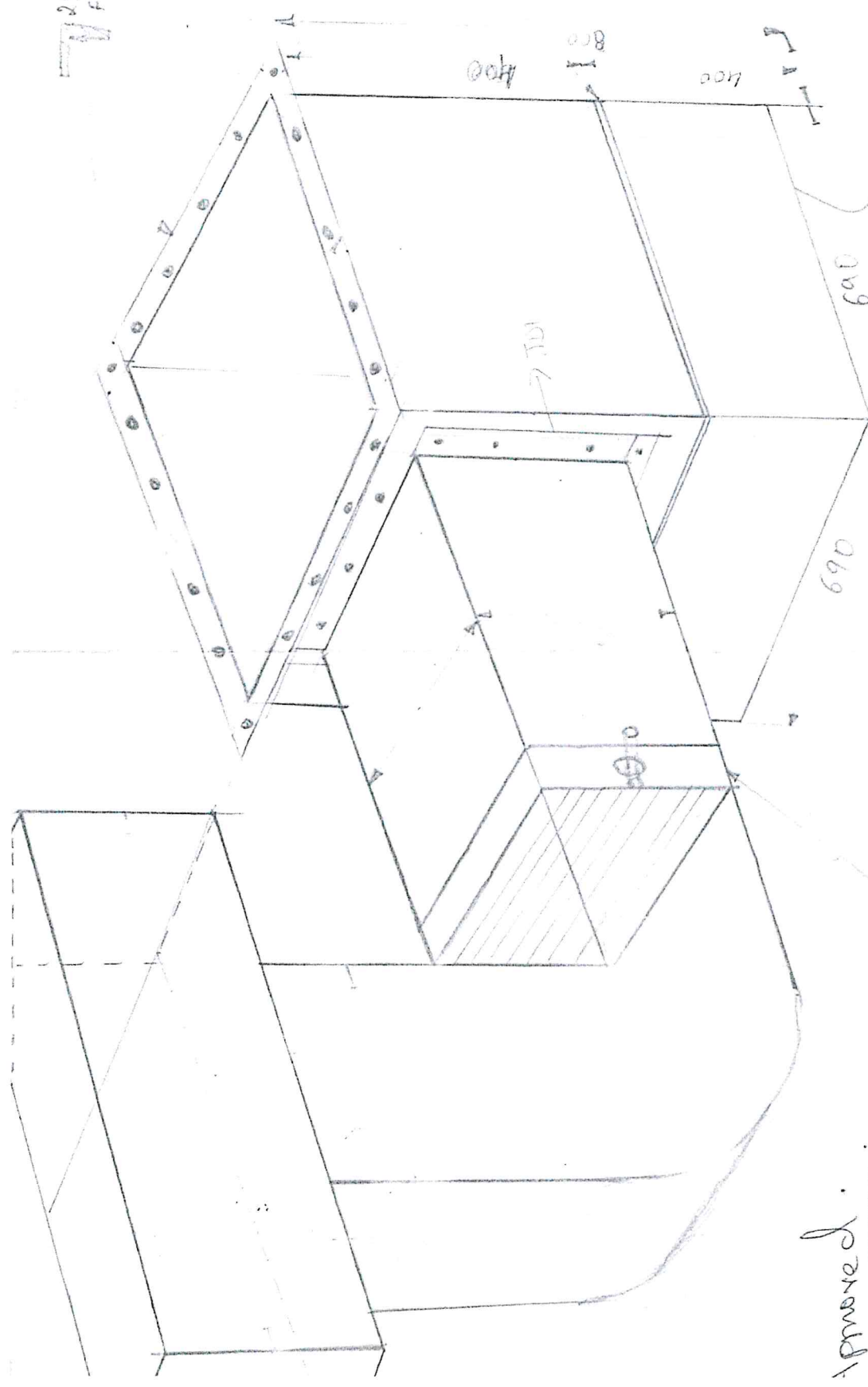
Email Id: purchase@ncbs.res.in

Website : www.ncbs.res.in



25x25mm x 3mm  
Flange

TOF  
1000



EXISTING ALUM BOAT

HEPA FILTER CONNECTIONS  
 FOR ANIMAL HOUSE AREA &  
 CLEAN ROOM AREA @ SECOND  
 & THIRD FLOOR

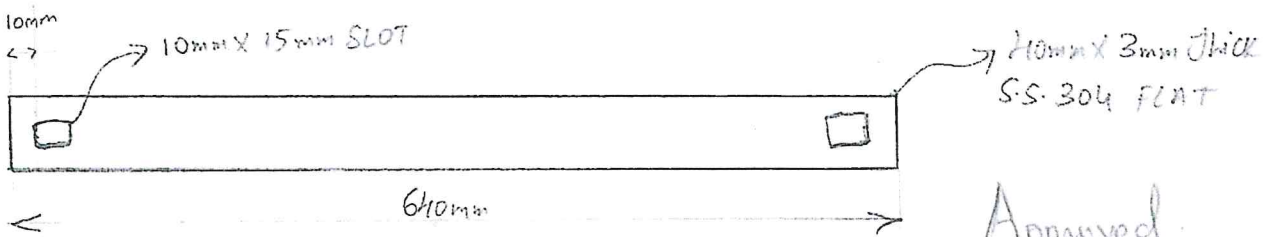
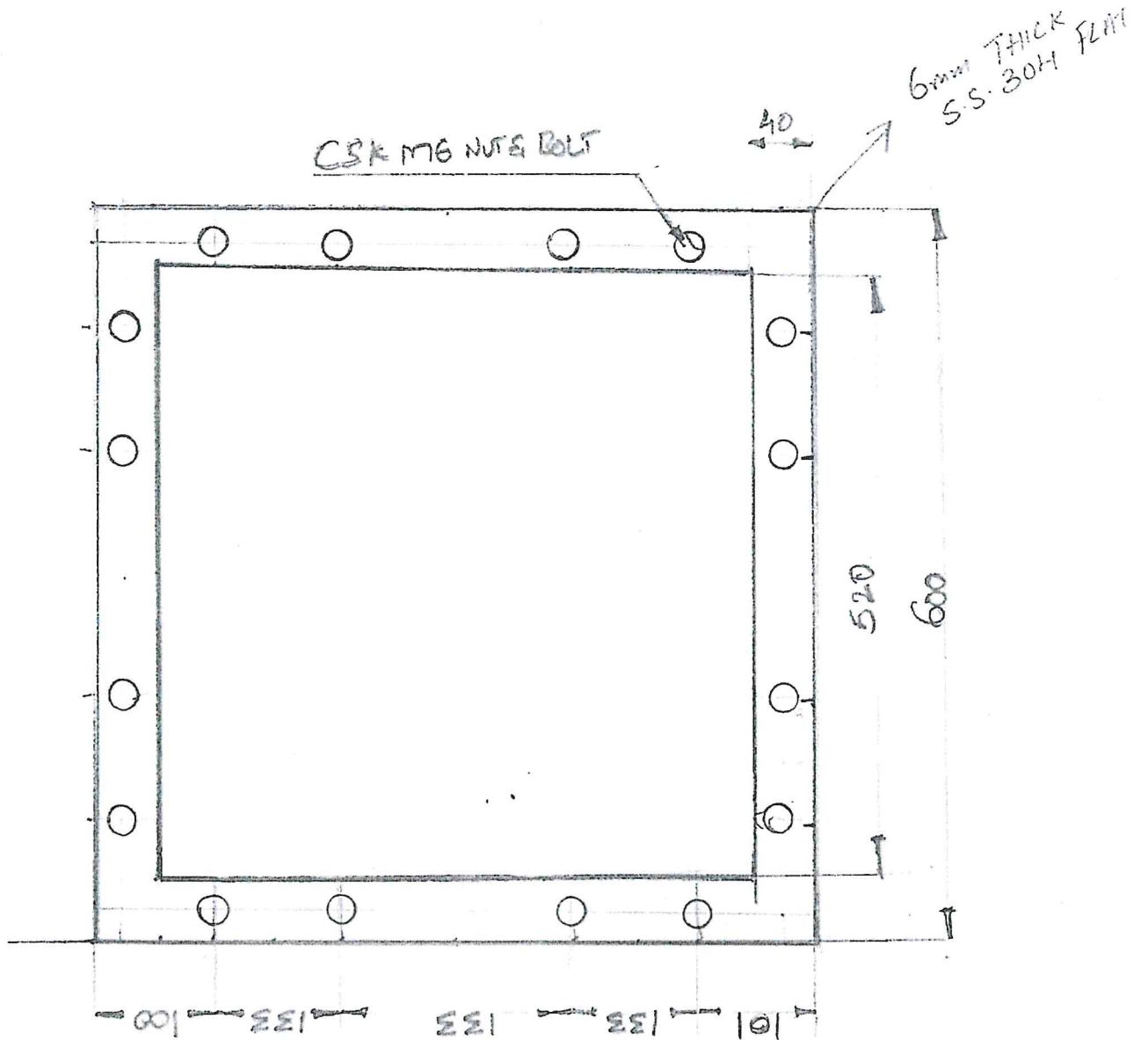
Approved.

~~21/05/2018~~  
 21/05/2018

21/5/18  
 21/5/18



# INSTEM HEPA BOX SS FRAME



26/5/18

26/5/18